

TERMINATIONS

Low and Medium Voltage Power Cable

Terminations:

1. Heat Shrinkable Terminations
2. Cold Shrinkable Terminations
3. Plug-in Terminations



HEAT SHRINKABLE TERMINATIONS

Heat shrinkable terminations for cables with voltages up to 36 KV:

- Low Voltage Terminations(up to 1KV)
- Medium Voltage Terminations(up to 36KV)

Medium Voltage Terminations may be supplied for indoor and outdoor use, in single core and three core arrangements, equipped with Copper, Aluminum or Bimetallic cable lugs.

They are produced according to the following standards:

IEC 60502-4 , CENELEC HD 629.1 , CENELEC HD 628

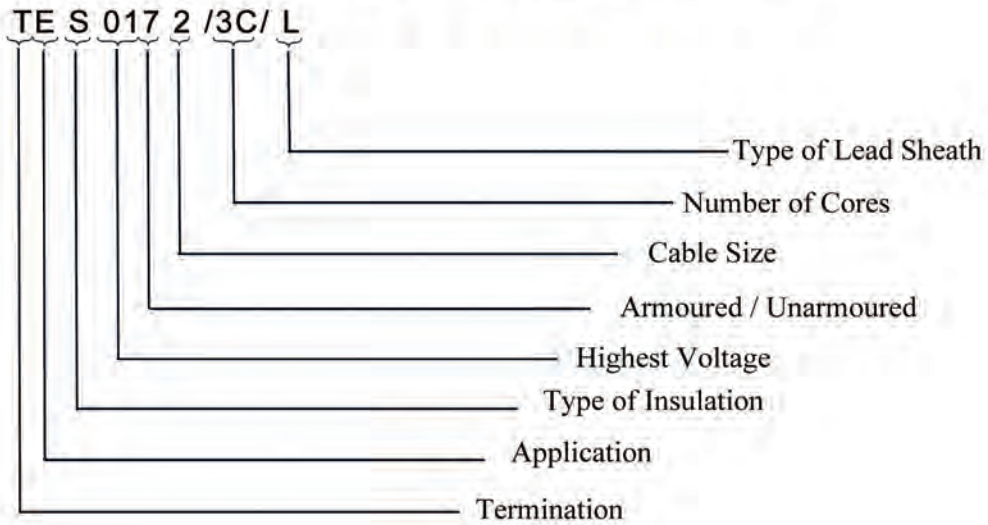


Advantages:

- Proven quality as a result of many years of application
- Usable with a wide range of cables in a wide range of applications
- Reliable to work in harsh conditions
- Anti-tracking & UV-resistant outer jacket.

SELECTION TABLE FOR LOW VOLTAGE TERMINATION

Typical Part Number for LV Heat Shrinkable Termination:



Armour	Code
Armoured XLPE	7
Unarmoured XLPE	5
Paper Insulated Cable	7

Lead	Code
XLPE Cable With Lead Sheath	L
XLPE Cable Without Lead Sheath	-
Single Lead Sheath Paper Insulated	EZ
Three-Lead Sheath Paper Insulated	J

Insulation Type	Code
XLPE	S
Paper Insulated	C

Application	Code
Indoor	I
Outdoor	E

Code	Single Core (Unarmoured)	Multi-Core (Unarmoured)
0	1.5-4	1.5-4
1	6-16	6
2	25-35	10-16
3	50-70	25-35
4	95-150	50-70
5	185-300	95
6	400-500	120-150
7	630 & above	185
8	-	240-300
9	-	400 & above

Code	Single Core (Armoured)	Multi-Core (Armoured)
0	1.5-4	1.5-4
1	6-16	6-16
2	25-50	25-50
3	70-150	70-150
4	185-300	185-300
5	400-500	400 & above
6	630 & above	-